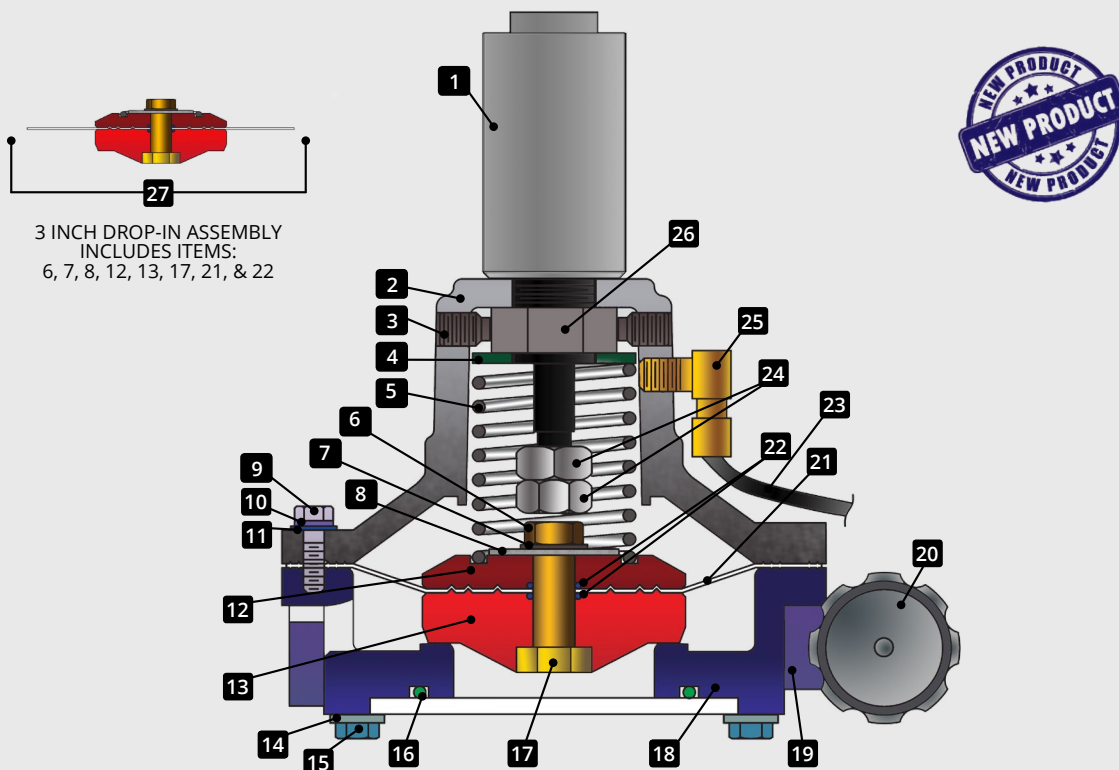


## Mega Spray Head, 3 inch, Hydraulic, Stainless Steel Part No. 047062

The Mega stainless steel hydraulic spray head is optimized for use in the most severe environments. The stainless steel hydraulic spray head shares the same design as the Mega aluminum hydraulic spray head, with the exception that all metallic parts that come into contact with water during use are stainless steel. The Mega 3 inch hydraulic spray head valve is actuated by a long life double-acting hydraulic cylinder.



3 INCH DROP-IN ASSEMBLY  
INCLUDES ITEMS:  
6, 7, 8, 12, 13, 17, 21, & 22

ITEM	PART NO.	DESCRIPTION	QTY	ITEM	PART NO.	DESCRIPTION	QTY
	047062	Mega SHV*, 3 inch, Hydraulic, Stainless Steel	1	14	355295	Washer, Flat, Stainless Steel	4
1	306808	Cylinder, Hydraulic	1	15	355946	Cap Screw, 3/8 X 3/4 inch, Stainless Steel	4
2	306395	Housing, Upper, Stainless Steel	1	16	354502	O-Ring, Base	1
3	354513	Set Screw, Cylinder	2	17	300214	**Nut, Stem	1
4	350011	Washer, 1.25 inches	1	18	045099	Housing, Base, Stainless Steel	1
5	305304	Spring	1	19	045679	Adjusting Ring, Stainless Steel	1
6	300211	**Bolt, Stem	1	20	302912	Knob, Adjusting Ring	1
7	300212	**Washer, Bell	1	21	300208	**Diaphragm	1
8	354598	**Washer, Flat, 5/8	1	22	300215	**O-Ring, Stem	2
9	306148	Cap Screw, 5/16 X 1 1/4 inch Stainless Steel	8	23	351141	Tubing, Nylon, 3/8 inch tube, 8 inch long tube	1
10	355337	Washer, Lock, 5/16 Stainless Steel	8	24	350044	Nut, Hex, 1/2 inch-20	2
11	355336	Washer, Flat 5/16 Stainless Steel	8	25	351082	Elbow, 1/4 inch, NPT-3/8 inch Tube	1
12	300210	**Guide Disk, Upper	1	26	305294	Nut, Cylinder Retaining	1
13	300209	**Guide Disk, Lower	1	27	300409	Drop-In Assembly	1

\* SHV - Spray Head Valve

\*\* These parts are included in the Drop-in Assembly.

If illustration does not match your configuration please call product support at 505-345-2661 or 1-800-345-8889.